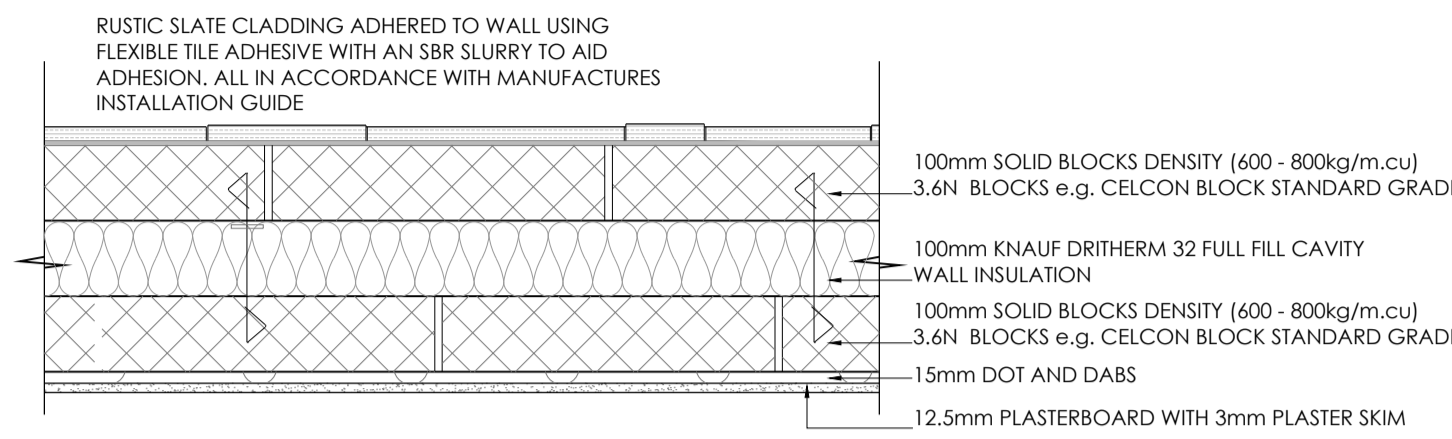
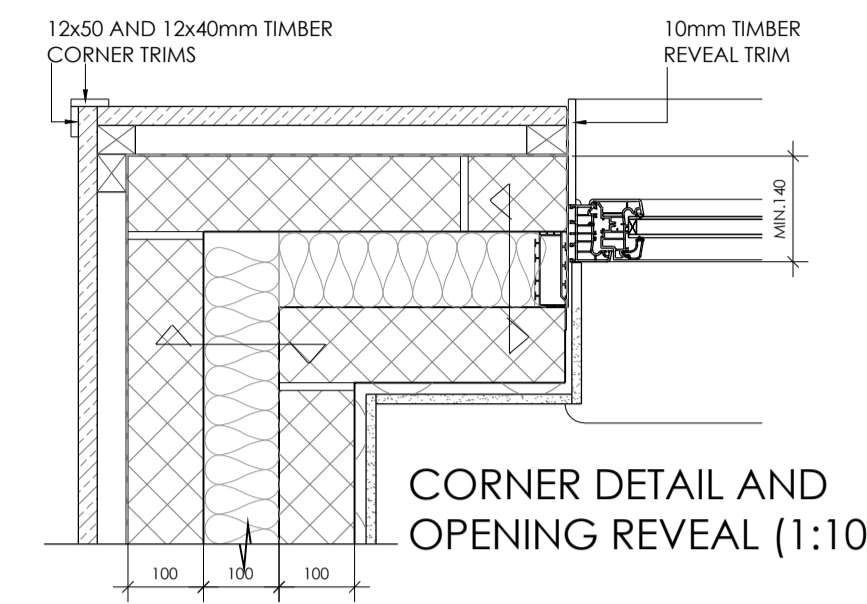


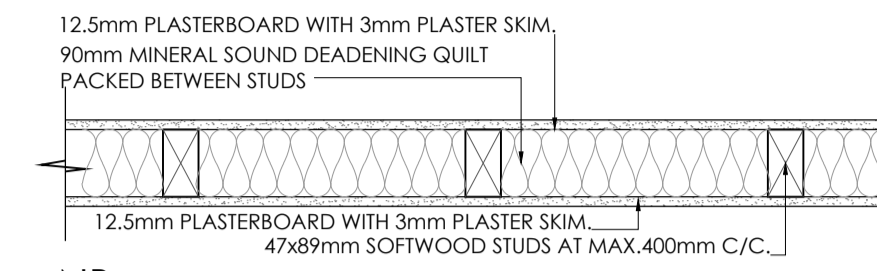
EXTERNAL WALL CONSTRUCTION - FEATHER EDGED CLADDING (1:10)



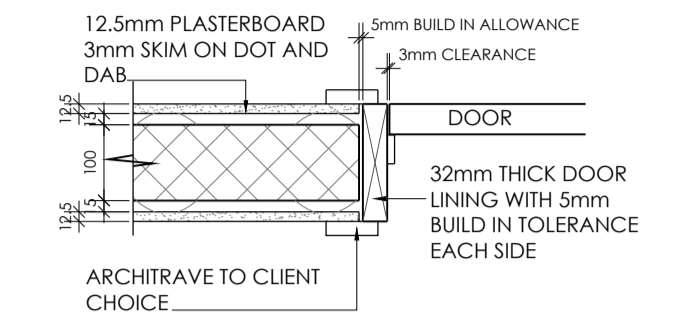
EXTERNAL WALL CONSTRUCTION - RUSTIC SLATE CLADDING (1:10)



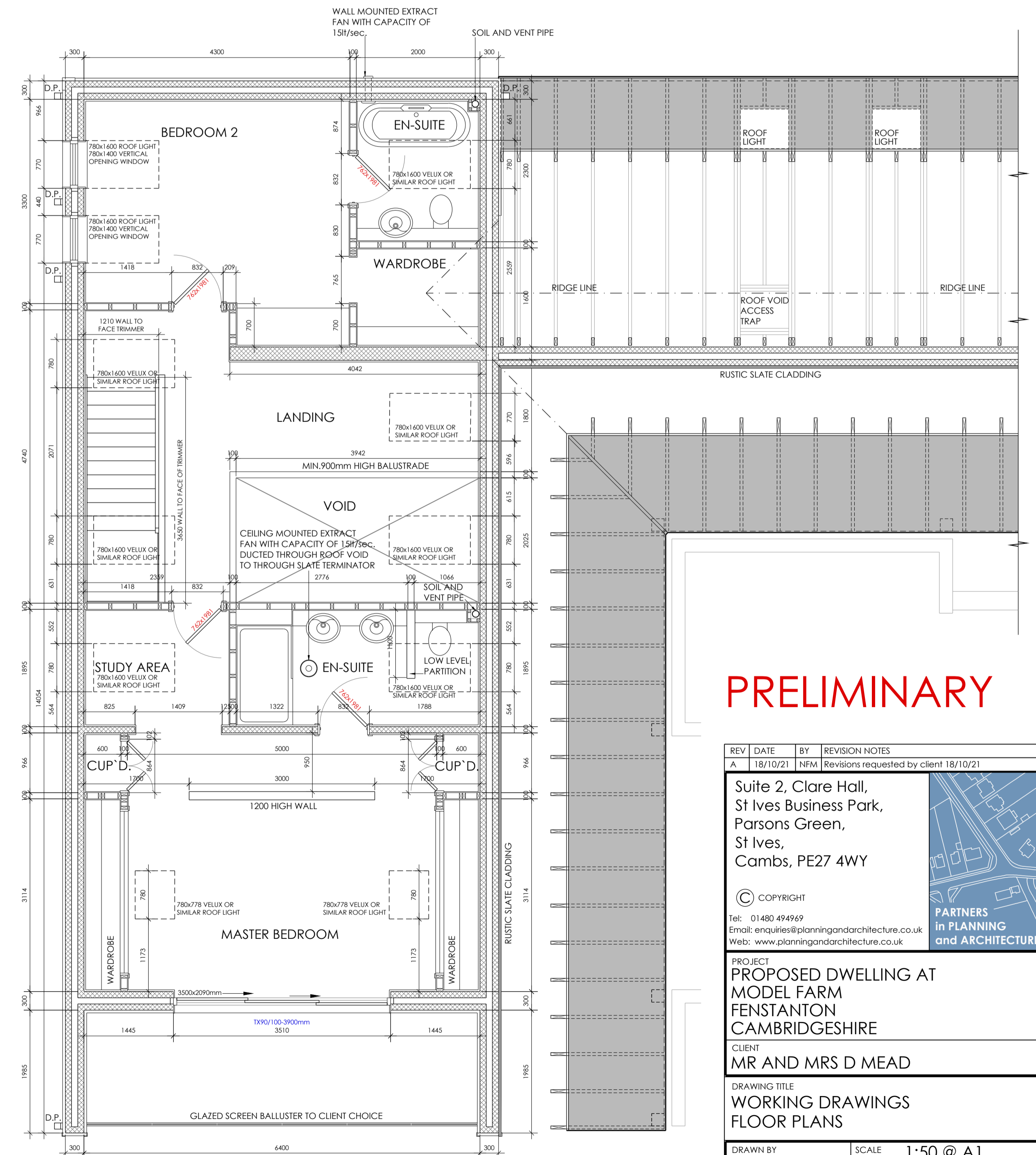
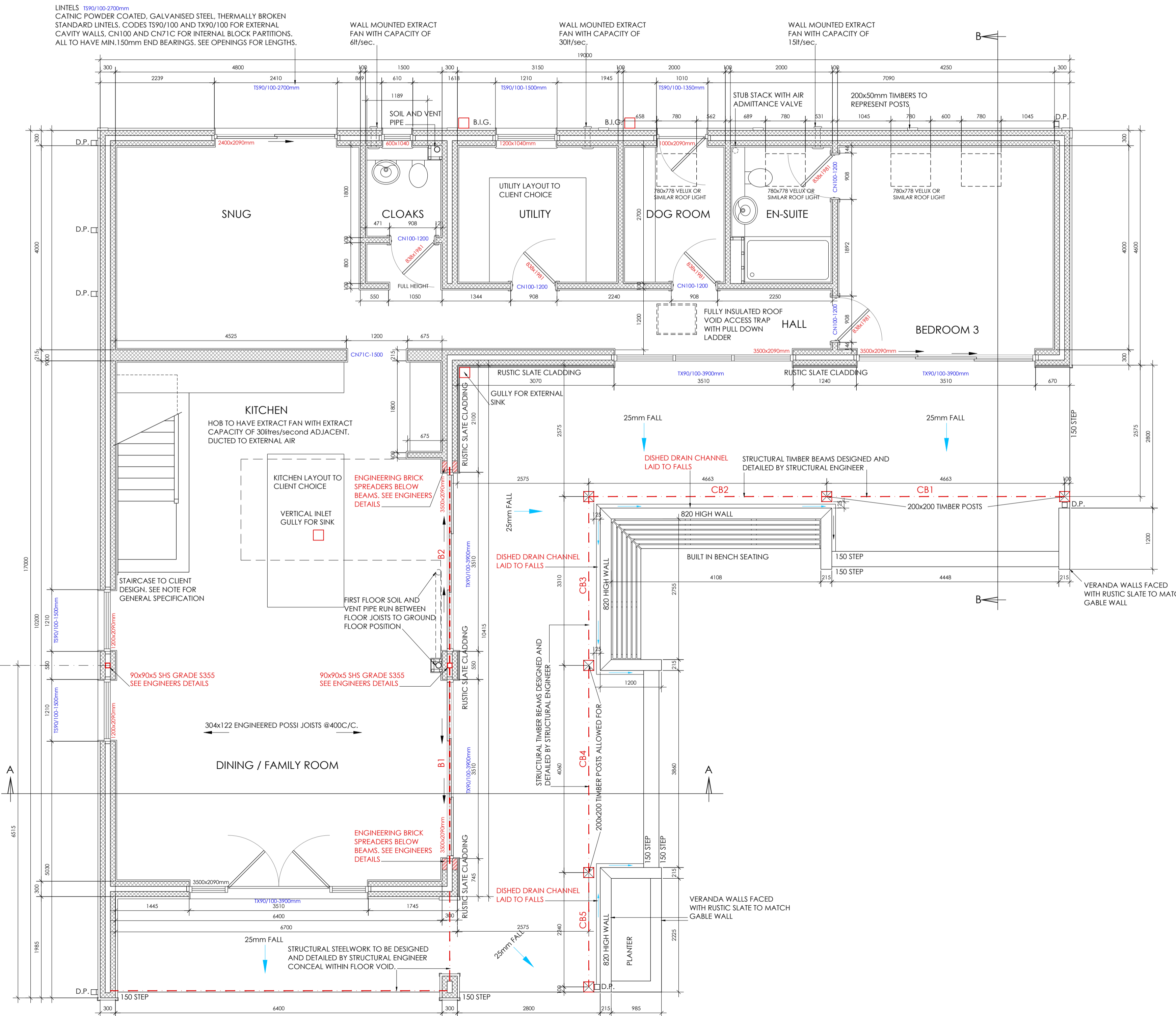
CORNER DETAIL AND OPENING REVEAL (1:10)



INTERNAL STUD PARTITION DETAIL (1:10)



BLOCK WALL OPENING



PRELIMINARY

REV	DATE	BY	REVISION NOTES
A	18/10/21	NFM	Revisions requested by client 18/10/21

Suite 2, Clare Hall,
St Ives Business Park,
Parsons Green,
St Ives,
Camps, PE27 4WY

© COPYRIGHT
Tel: 01480 494969
Email: enquiries@planningandarchitecture.co.uk
Web: www.planningandarchitecture.co.uk

**PARTNERS
in PLANNING
and ARCHITECTURE**

PROJECT
**PROPOSED DWELLING AT
MODEL FARM
FENSTANTON
CAMBRIDGESHIRE**

CLIENT
MR AND MRS D MEAD

DRAWING TITLE
**WORKING DRAWINGS
FLOOR PLANS**

DRAWN BY NFM	SCALE 1:50 @ A1
DATE 14/10/21	DWG. No. DM/MF/01
	REV. A